

! Safety Cautions

(Regarding use)

• Before use, after reading the Operation Manual thoroughly and receiving explanations from the our sales staff or distributors, use correctly.

(Regarding installation)

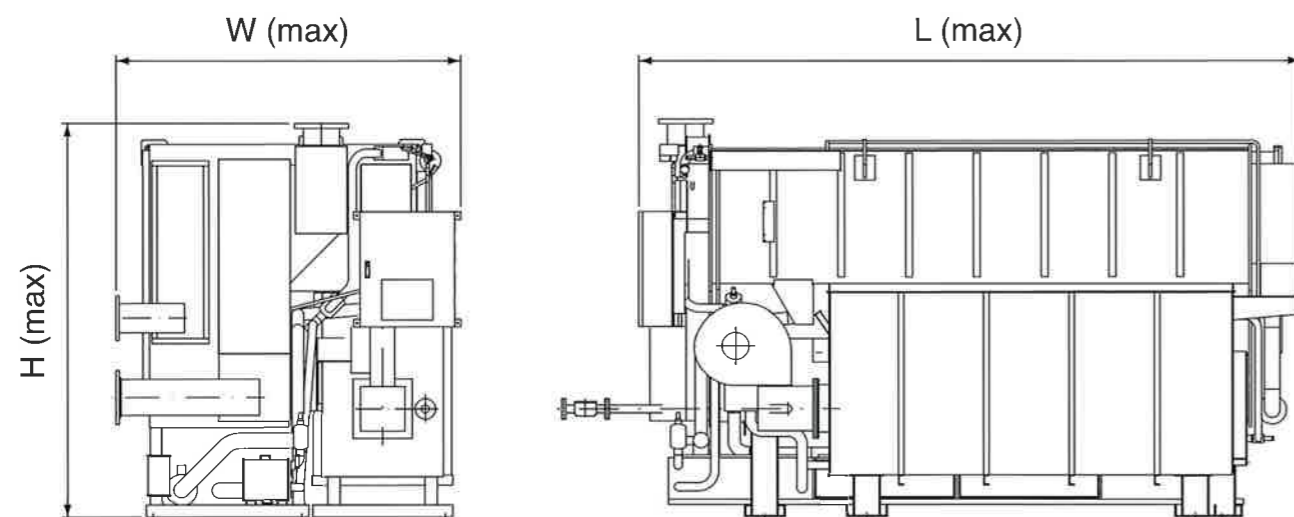
- Do not install in a place where inflammable materials such as gasoline or thinner are handled or where corrosive gases such as ammonia and chloride are sometimes present. A fire may be caused by such installation.
- Carrying-in work, installation work, foundation work, Electrical work, various piping work, various interlock work and hot/cold insulation work is necessary. Please consult with a specialist contractor. If there are deficiencies in works, these may be the cause of toppling, electric shock, water leakages, fuel leakages, burns etc.
- Flue work, exhaust piping work and chimney work are sometimes necessary. Please consult with a specialist contractor. If there are deficiencies in works, these may be the cause of fire, burns, acid accidents etc.
- Air supply/expulsion work is sometimes necessary. Please consult with a specialist contractor. If there are deficiencies in works, these may be the cause of acid deficit accidents etc.
- Waterproofing of the floor surface of the place where the absorption chiller is installed and a drain ditch in the neighborhood are necessary. If there are deficiencies in waterproofing work, water leakages etc. may cause the neighboring facilities to become wet.
- Space for carrying out necessary maintenance is necessary in the surrounding area of the absorption chiller. If space is inadequate, tasks cannot be carried out safely and injuries may result.

(Regarding service and maintenance)

• Maintenance other than regular handling maintenance requires specialized technologies so please consult with the our sales staff or distributors. If there are deficiencies in maintenance, these may be the cause of accidents such as fire, electric shock etc.

• Unauthorized reproduction, copying forbidden.

■ VH series



■ VH series dimensions

VH series	120	150	180	210	240	280	320	360	400	450	500	560	630	700	800	900	1000
L	3,023	3,170	3,495	4,144	4,144	4,944	4,944	4,900	4,900	4,900	4,900	5,900	5,900	6,100	6,100	7,100	7,100
W	1,925	1,925	1,925	1,925	1,925	1,988	1,988	2,440	2,440	2,480	2,480	2,480	2,480	3,340	3,340	3,340	3,340
H	2,170	2,170	2,170	2,170	2,170	2,248	2,248	2,650	2,650	2,940	2,940	3,040	3,040	3,480	3,480	3,480	3,480

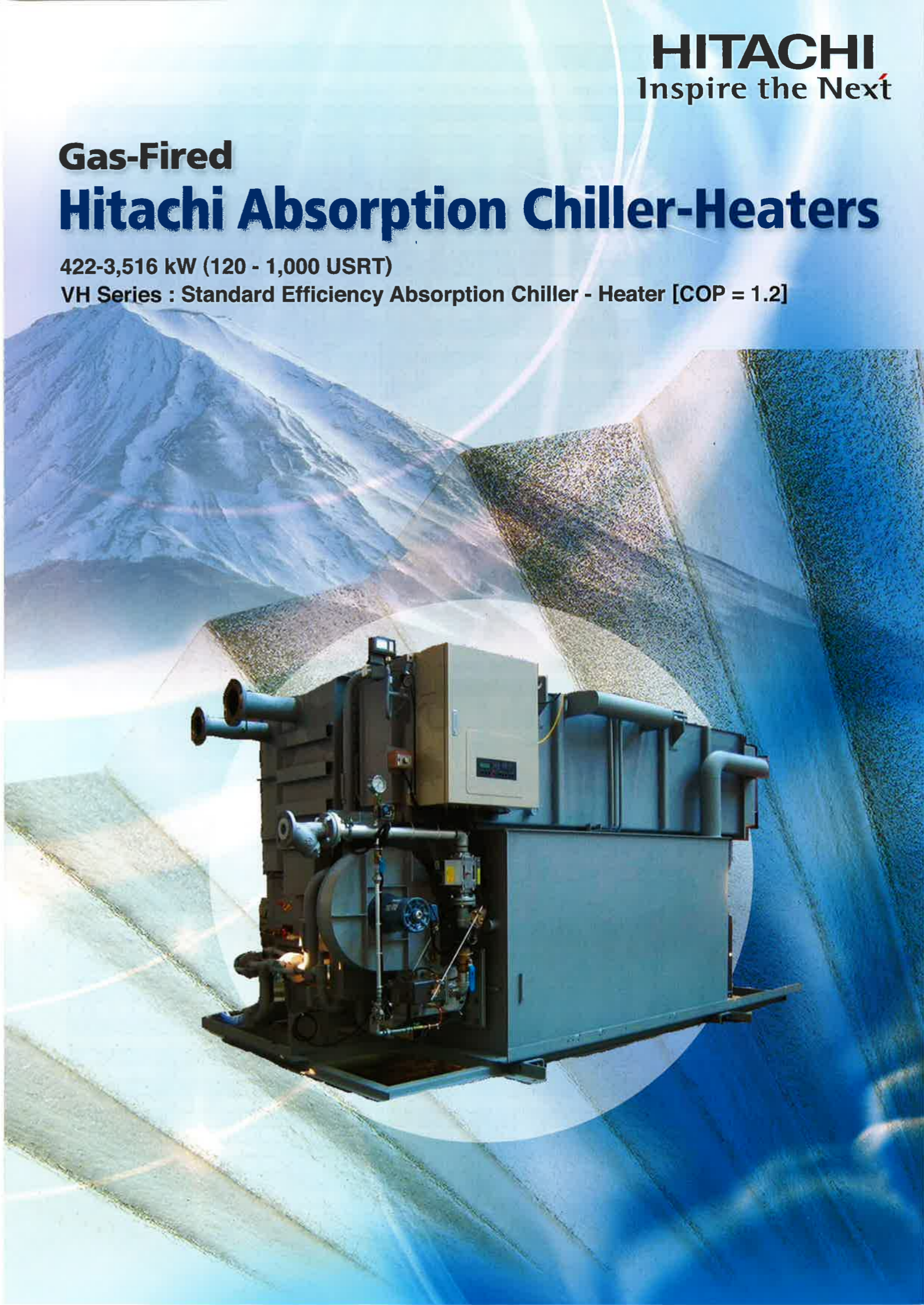
HITACHI

Hitachi Appliances, Inc.

New Pier Takeshiba South Tower,
16-1, kaigan 1-chome, Minato-ku, Tokyo, 150-0022 Japan.
Tel : +81-3-6403-4541 Fax : +81-3-6403-4542
URL : <http://www.hitachi-ap.com>

Specifications in this catalogue are subject to change without notice in order that HITACHI may bring the latest innovations to their customers.

Distributed by



Gas-Fired
Hitachi Absorption Chiller-Heaters

422-3,516 kW (120 - 1,000 USRT)

VH Series : Standard Efficiency Absorption Chiller - Heater [COP = 1.2]

